

HEIDTS 1962-67 BOLT-ON SUB-FRAME/CROSS-MEMBER ASSEMBLY

Bolts-on, no welding required. Even the motor mounts are already welded in place. Simply unbolt your complete front clip and bolt-in the Heidt's Mustang II based suspension sub-frame. Install the firewall supports, bolt on the suspension parts and you are all set. The stock radiator mount even bolts right up. Heidt's full lower A-arms must be used because the factory strut rods don't work in this application. The *complete kit includes*: front sub-frame, tubular upper & lower arms, stock spindles, 11" Rotors with single piston calipers, manual rack & pinion steering, stock shocks and springs. *Options include* narrowed and polished stainless control arms.

CX-320S 1962-67 Sub-frame/crossmember kit. . . \$1200.00
 Complete with suspension kit \$2,695.00



HEIDTS 1962-67 PRO-G BOLT-ON SUB-FRAME

This is a fully bolt-on suspension sub-frame package with true high performance purpose designed suspension with race car geometry. Make your early Nova handle like a 600 HP slot car! It just bolts to the firewall in place of the original sub-frame with no welding. This *complete kit includes*: billet coil-over shock assemblies with chrome springs, tubular control arms, dropped spindles, 11" Wilwood disc brakes, power rack and pinion, motor mount stands, firewall support tubes and inner fender panels. *Options include* stainless steel control arms, sway bar, 12 or 13" brakes with 4 or 6 pistons, power brake booster and steering hookup kit.

MVF-320 1962-67 Nova PRO-G sub frame \$4,995.00



HEIDTS 1962-67 NOVA REAR 4-LINK KIT

This Heidts suspension kit replaces the weak mono leaves with a complete coil-over 4-bar system with sub-frame connectors to stiffen the uni-body. Available as bolt or weld-in. *Kit includes*: 4-bars, panhard rod, axle and frame brackets, sub-frame connectors, upper coil-over bracket, transmission crossmember, standard black coil-over shocks and springs. Many brake and rear end options.

RN-101 1962-67 weld-in \$1,450.00
RN-101-B 1962-67 bolt-in \$1,450.00



HEIDTS 1962-67 SUPERIDE II BOLT-ON SUB-FRAME

This is a fully bolt-on suspension sub-frame package with all suspension components. It just bolts to the firewall in place of the original sub-frame with no welding. *This assembly includes*: fully adjustable billet coil-over shock assemblies (plain or polished), chrome springs, tubular control arms, 11" disc brakes with Wilwood 4 piston calipers, manual rack and pinion steering, motor mount stands and firewall support tubes. *Options include* narrowed control arms, adjustable firewall tubes, power rack, polished stainless control arms, polished billet hubs, dropped spindles, sway bar and inner fender panels. 12" or 13" brakes with 4 or 6 pistons are also available.

BX-320 1962-67 Superide sub frame \$3,695.00

INNER FENDER PANELS

Finishes up the installation of a Heidt's sub-frame kit. These inner panels bolt directly to the fenders, firewall and core support and include hood hinge mounting plates.

CX-325 1962-65 pair \$250.00
CX-326 1966-67 pair \$250.00



Call 402.886.2275 or click: www.heinzmanstreetrods.com

1962-1974 Chevy Nova Suspension

1962-1974 Chevy Nova Suspension



1962-67 CHEVY II FRONT FRAME

Detroit Speed's front frame is a bolt-in replacement for the original stock sub-frame. DSE's unique suspension geometry greatly improves handling and ride quality. Stamped crossmembers improve structural rigidity and the upper support bars feature rigid integral hood hinge mounting and are hidden when used with DSE's Chevy II inner fenders package. *Package includes:* tubular upper and lower control arms, coil-over shocks and springs, power rack and pinion steering, splined sway bar, C6 Corvette uprights and mounting for SBC and LS engines. Powder coating optional.

- 032031** 1962-1965, SBC or LS engine \$5,900.00
- 032033** 1966-1967, SBC or LS engine \$5,900.00



1968-74 NOVA HYDROFORMED SUB-FRAME

Detroit Speed's all new front sub-frame is a bolt-in replacement for the original stock sub-frame. It improves the handling and ride quality by utilizing DSE's unique suspension geometry. DSE features OEM style hydroformed frame rails and stamped crossmembers for strength and stiffness and precise quality. *The sub-frame comes complete with:* tubular upper and lower control arms, coil-over shocks and springs, power rack and pinion steering, splined sway bar, C6 Corvette uprights and mounting for SBC, BBC, LS1, LS2, and LS7 engines. Powder coating optional.

- 032001** 450 lb/in SBC, LS \$6,900.00
- 032002** 525 lb/in BBC, Pontiac \$6,900.00



DSE QUADRA LINK™ REAR SUSPENSION

This is a great way to upgrade 1962-74 Nova original leaf spring suspension to an adjustable 4-link system. Detroit Speed's 4-link geometry is optimized to achieve the best possible ride, handling and improved anti-squat control. The long upper links provide great pinion and u-joint angle control and an adjustable panhard rod provides precise and effective rear axle lateral location during hard cornering. The new DSE "Swivel-Link™" allows the suspension to fully articulate without binding. Tuned high durometer rubber bushings are used in place of noisy heim- joints or urethane bushings. A rear upper shock crossmember strengthens the rear body and frame section. Use DSE Deep Tubs or stock tubs (please specify). *Kit includes:* Detroit Tuned' Coil-over shocks/springs and black powder coated 4-bars, brackets, panhard bar. Note: requires a 3" axle tube.

- 041707** 1962-1967 Chevy II \$3,018.00
- 041703** 1968-1974 Nova \$2,400.00

HEIDTS 1968-72 NOVA PRO-G SUB-FRAME

This new 68-74 bolt-on front sub-frame uses Heidts new Pro-G™ suspension package for unbelievable cornering and overall handling. Simply unbolt and remove your front sheet metal, engine/trans, old sub-frame, then slide in the new complete sub-frame. All the sheet metal bolts back in place *There are many control arm, sway bar, shock and brake upgrades. Please call.*

The base kit includes: Pro-G sub-frame, Pro-G 2" dropped spindles, transmission x-member, tubular upper and lower arms, power rack and pinion steering, 11" Wilwood brakes with black calipers, billet coil-overs, single adjustable shocks with chrome springs,

CF-101-WT 1968-72 Nova (includes trans crossmember) . . \$4,995.00



HEIDT'S 68-72 NOVA SUB-FRAME CONNECTORS

Completely bolt-on, with no cutting or floor modifications. Ties the front sub-frame into the rear spring mounts

- RN-056** 1968-72 Nova sub-frame connectors . . . \$225.00



**HEIDTS
PRO-G**

HEIDTS PRO-G INDEPENDENT REAR SUSPENSION KIT FOR 1962 TO 67 NOVAS

The Heidts PRO-G IRS system will totally transform your early Nova. This is a bolt-in high-horsepower unit and includes sub-frame connectors that stiffen the body and locate the suspension. Included is a 9" Aluminum housing, posi-traction iron 3rd member, your choice of ratios, Wilwood 10.5" disc brakes, CV joint axles, billet adjustable coil-overs, crossmember and brackets, front pinion support and more. Track is 56.5". A parking brake kit is available. Please call.

- NVR-101** 1962-67 Nova- plain rotors \$9,095.00
- NVR-101-S** with drilled and slotted rotors \$9,495.00



HEIDTS 1968-72 NOVA REAR 4-LINK

Bolt-on maximum performance for your Camaro/Firebird or Nova. *The base kit includes:* chassis and axle brackets, adjustable links, full upper coil-over crossmember, panhard bar, adjustable HEIDTS coil-overs and all hardware. Completely bolt-on, with no cutting or floor modifications. Adjustable 4-link mounts allow suspension tuning. There are many brake, stainless steel and rear end housing upgrades. Please call. The driveshaft loop is optional and connects to the sub-frame connectors.

- RC-101** 1968-72 Nova \$1,500.00



DSE REAR MINI-TUB KITS

Rear Mini-Tub kit moves the leaf springs in for more tire clearance. The kit includes: DSE deep tubs, rear upper shock crossmember, rear upper shock mounts, offset shackles, rear leaf springs, adjustable leaf spring pads, lower shock plates, U-bolts, mini-tub video including templates and detailed, installation instructions. You will need special DSE shocks and a narrowed fuel tank.

- 041207** 1968-1974 Nova 2" Drop \$1,780.00



UNI-STEER RACK & PINION CONVERSION KIT

Uni-steer's Chevy II/ Nova rack and pinion will greatly improve handling and steering effort, while providing modern road feel. This kit is specifically designed for the 1962-67 and 68-74 suspension, so there is no bump steer. Best of all, these are Bolt-on kits, no chassis modifications necessary. Manual and chrome racks are also available. The 1962-67 kit includes the power steering pump, brackets and hoses.

- 8010650-01** 1962-67 power rack & pinion kit \$1350.00
- 8000930-01** 1962-67 Manual rack & pinion kit \$1024.92
- 8010540-01** 1968-74 Nova power rack & pinion kit . . . \$862.92
- 8000770-01** 1968-74 Nova manual rack & pinion kit . . \$646.92



GM-DELPHI 600 POWER STEERING GEAR

This all new steering gear replaces the common GM 800 series power steering gear used from 1964 to 1992. It uses low friction gear design and precision rack and pinion valve technology for increased steering feel. Quick ratio 12.7:1 and 6 lbs lighter than stock. Original power pitman arm may be used. A 3/4 x 30 spline rag joint and new o-ring power steering hoses are needed

- 090204** 1968-74 X-Body, ready to paint \$595.00
- 090204C** 1968-74 X-Body, ceramic coated. \$780.00



DSE CHEVY II SUB-FRAME CONNECTORS

Detroit Speed weld in sub-frame connectors are fabricated from 2" x 3" x 0.095" wall rectangular steel tubing. Laser cut brackets attach to the rear of the sub-frame and rear frame rails. DSE connectors do not interfere with seat attachment hardware or the installation and removal of the rear leaf spring pocket. Can be installed on convertibles. Note: If not used with DSE Chevy II QUADRA Link™ you will need to purchase the DSE torque boxes.

- 010104** 1962-67 Chevy II \$190.00
- 9304115** 1962-67 Chevy II torque boxes. \$95.00

Call 402.886.2275 or click: www.heinzmanstreetrods.com

1962-1974 Chevy Nova Suspension

1962-1974 Chevy Nova Suspension



HEIDTS TUBULAR UPPER & LOWER CONTROL ARMS

Beef up your suspension and tighten your handling with Heidts tubular control arms. Both upper and lower arms are available in stock width or narrowed 1" per side. They come beautifully black powder coated, and are fitted with high performance urethane bushings and factory ball joints, ready to install in your chassis. The narrowed arms allow you to run wider tires, without rubbing the fenders. Lower arms are also available for coil-over shocks

- CA-301** 68-72 Nova upper control arms \$450.00
- CA-301-N** 68-72 Nova upper control arms-narrowed . . \$450.00
- CA-311** 68-72 Nova lower control arms \$650.00
- CA-311-N** 68-72 Nova lower control arms-narrowed \$650.00
- CA-311-M** 68-72 Nova coil-over lower control arms . \$650.00
- CA-311-NM** 68-72 Nova coil-over lower control arms -narrowed \$650.00
- CC-064** Narrowed tie rod ends for narrowed control arms each \$22.00

HEIDTS TALL 2" DROPPED STEEL SPINDLE

The upper ball joint is raised 1-1/2" over the factory design to yield a better camber change during suspension movement. This corrects the excessive camber change of the original design. These spindles are STEEL, the strongest ones in the industry.



- SP-110** 2" Dropped spindles Pair \$340.00

QA1 COIL OVERTS

Billet coil-over shocks have fully adjustable dampening. Silver powder coated full length progressive springs assure full travel and smooth ride with spring rates for small block and big block. They also fit stock lower arms using adapter kit CS-020.



- GS401** Coil-over shocks pr \$529.00
- 450# 10" Coil-over springs, smal block . . . included
- 550# 10" Coil-over springs, big block included

Springs are available in 300-700 lb increments



SWAY BAR FOR STOCK NOVA SUB-FRAME

- 1-1/8" diameter stiffer sway bar for the stock sub-frame. Bolts-on.
- SB-069** 1968-72 Nova sway bar \$220.00



1968-74 DSE SPEED KITS

Detroit Speed's front suspension kits combine individual components into a system designed for your vehicle at three different levels. The DSE Speed Kit 1 provides the ease of bolt-on components to improve your Nova's handling. The Speed Kit 2 improves the handling performance to the next level and offers ride height adjustment. The Speed Kit 3 is the most advanced handling system you can buy for use with the stock sub-frame. It gives you the ultimate steering performance of today's modern performance cars.

Speed Kit 1: tubular upper control arms, tubular lower control arms, stock spring pocket, Koni classic front shocks, front 2" drop springs, front sway bar

Speed Kit 2: Kit #1 with coil-over conversion kit, Koni aluminum body coil-over shocks, coil-over springs, and fixture for positioning

Speed Kit 3: kit 2 plus DSE 600 steering gear with rag joint and pitman arm, DSE tie rod adjusters, inner and outer tie rod ends and idler arm.

- 031301** 1968-74 Speed kit 1 (specify SB or BB) . . . \$1,980.00
- 031302** 1968-74 Speed kit 2 (specify SB or BB) . . . \$2,653.00
- 031303** 1968-74 Speed kit 2 (specify SB or BB) . . . \$3,548.00



DSE REAR LEAF SPRING SUSPENSION KIT

This kit works great with any of the DSE front suspension systems. DSE leaf springs improve handling due to the increased spring rate and are available in either a 2" or 3" drop to lower ride height.

Kit includes: DSE rear leaf springs (2" or 3" drop), heavy duty shackle kit, Koni classic rear shocks

- 041633** Multi-Leaf spring- specify 2 or 3" drop. . . \$760.00

DSE DEEP WHEEL TUBS

These three inches wider wheel tubs will accept monster tires. They are stamped from 18 gauge steel in the USA, fit perfect, look stock and save a ton of work. The Deep Tub's can be purchased as a pair or as part of the complete mini-tub kit:



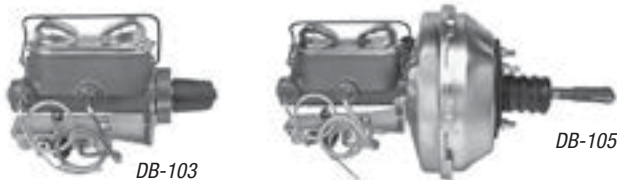
040402 Deep Tubs, 1968-1974 Nova pair \$475.00



HIGH-POWER ELECTRIC BOOSTER AND MASTER CYLINDER ASSEMBLY

This high pressure system includes an electric remote booster that can be mounted anywhere in the car. This cleans up the firewall, frees up extra valve cover clearance and solves the low vacuum problem that many high performance engines have. Good looking, light weight and easy to install. Features a 1.125" bore, Dual circuits and built in metering/proportioning valve. Only 8" x 3.6" x 3.3".

10-56 Electric power brake booster/M.C. \$1400.00



HEIDTS POWER BOOSTER & DUAL MASTER CYLINDER

Bolt-on kit for 1962-67. Kit includes: power booster, dual master cylinder and correct proportioning valve for disc-drum or disc-disc cars. Designed for use with our Disc Brake Kits. Fully assembled and plumbed, ready for installation.

- DB-104 Power booster, master cyl, disc/drum. . . . \$299.00**
- DB-104-D Power booster, master cyl, disc/disc. . . . \$299.00**
- DB105 Manual master cylinder, disc/drum. \$175.00**
- DB105-D Manual master cylinder, disc/disc. \$175.00**

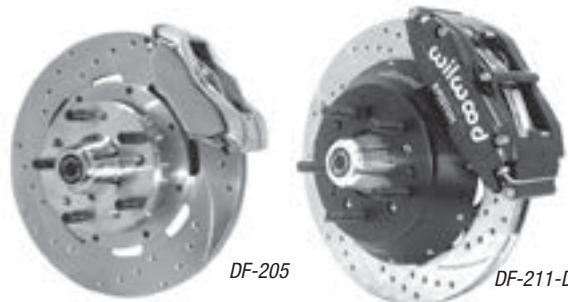


62-74 NOVA DISC KITS FOR DRUM BRAKE SPINDLES

This ECI brake kit bolts to the stock drum brake spindle with no machine work or spindle modifications, and does not move the wheel out. The kit uses stock big piston GM calipers and 11-inch rotors on special billet hubs. Kit includes rotors, calipers with pads, bearings, seals, caliper mounting brackets, aluminum hubs and dust covers. Note: 62-63 Chevy II requires 64-67 spindles.

EC-723ACK 1968-74 Nova, \$575.00

Add \$100.00 for 13 in. rotors



WILWOOD DISC BRAKE KITS

Four piston calipers, 11" rotors, 15" wheels, stock spindles

Wilwood's new limited offset FDL Pro-Series Front Hub Kits for 1964-1974 Chevy II/Novas offer a disc brake upgrade for the original Disc and Drum spindles. Wheels are only +.19" from original drum brake position, and -.31" from the original disc brake position. This kit provides plenty of clearance inside popular 15" wheels and can be used with either manual or power boost master cylinders. Kits come complete forged billet Dynalite calipers, rotors, hub assembly, brackets and hardware. Requires purchase of additional brake lines.

- 220-7056 Black anodize calipers, un-drilled rotors . \$764.16**
- 220-7056 Black anodize, drilled & slotted \$879.97**

There are many color and finish options available

Six piston calipers, 14" rotors, 18" wheels, stock spindles

The ultimate in big brakes for extreme performance and show with 6 piston calipers and stagger vaned rotors. Use with either manual or power boost master cylinders. Kits come complete with calipers, rotors, hub assembly, brackets and hardware. Requires purchase of additional brake lines.

- 140-10920 Black anodize calipers, slotted rotors . . \$2,303.56**
- 220-7056 Black anodize, drilled & slotted rotors . \$2,415.97**

Wilwood Discs Brakes For Heidt's Dropped Spindles

- DF-205 11" drilled rotors, 4 piston polished calipers & hardware \$895.00**
- DF-205-D 11" drilled rotors w/ polished hubs, 4 piston polished calipers & hardware . . \$1,050.00**
- DF-210-D 12" drilled rotors w/ polished hubs, 4 piston polished calipers & hardware . . \$1,075.00**
- DF-211-D 13" drilled rotors w/ black hubs, 4 piston black calipers & hardware . . . \$1,995.00**

1962-1974 Chevy Nova Suspension