



## AUTOMETER GAUGE KITS

### STREET ROD SERIES with vintage style dome lens

These gauge sets use "around-the-dial" lighting with either red or green tinted bulbs. Includes 3-1/8" electronic or mechanical speedometer and 2-1/16" oil pressure, water temperature, voltmeter, & fuel gauges. All necessary sending units are included. Fuel sender may not work with all stock fuel tanks. Electronic speedometer sender sold separately.

- 1300 Arctic White mechanical speedometer**, chrome bezels, white face, red needles . . . . . **\$334.00**
- 1302 Arctic White electronic speedometer**, chrome bezels, white face, red needles . . . . . **\$449.99**
- 1808 Antique Beige mechanical speedometer**, chrome bezels, light tan face, red needles . . . . . **\$334.00**
- 1809 Antique Beige electronic speedometer**, chrome bezels, light tan face, red needles . . . . . **\$449.00**
- Matching Tach.** . . . . . **\$124.95**
- 5291 Hall Effect Speedometer Sender** Most GM/Chry. . . **\$94.95**
- 5292 Hall Effect Speedometer Sender** Ford Plug-in . . . **\$94.95**



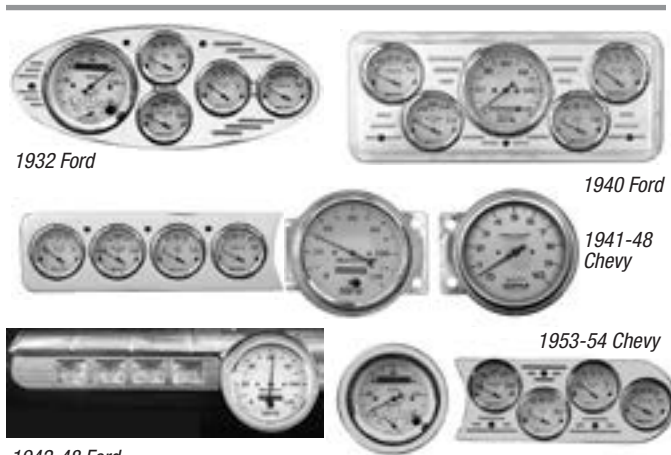
### STREET ROD SERIES with vintage style dome lens (cont)

- 1601 Old Tyme White mechanical speedometer**, chrome bezels, tan face, black needles . . . . . **\$339.00**
- 1602 Old Tyme White electronic speedometer**, gold bezels, tan face, black needles . . . . . **\$499.00**



### STREET ROD FIVE INCH QUAD SERIES

- 1303 Arctic White electronic quad/speed set**, 5" . . . **\$483.99**
- 1399 Arctic White tachometer**, 5" . . . . . **\$161.00**
- 1403 Designer Black electronic quad/speed set**, 5" . **\$497.99**
- 1499 Designer Black tachometer**, 5" . . . . . **\$161.00**



### BOESE GAUGE PANELS

Machined aluminum panel. Gauges and factory chrome trim not included.



- 1932-40 Ford** . . . . . **\$124.95**
- 1942-48 Ford gauge panel** . . . . . **\$89.95**
- 1942-48 Ford speedometer**, 5" trim ring . . . . . **\$89.95**
- 1934-50, 1953-55 Ford pick-up** . . . . . **\$124.95**
- 1951-52 Ford pick-up** . . . . . **\$99.95**
- 1936 Chevy for 3-3/8" quads** . . . . . **\$124.95**
- 1937-39 Chevy** . . . . . **\$99.95**
- 1937-38 Chevy glove box** . . . . . **\$99.95**
- 1940 Chevy** . . . . . **\$145.95**
- 1941-48 Chevy 4 gauge panel.** . . . . . **\$85.95**
- 1941-48 Chevy 5" speedometer insert.** . . . . . **\$99.95**
- 1941-48 Chevy 5" tach insert** . . . . . **\$99.95**
- 1947-53 Chevy pickup 5" quads.** . . . . . **\$99.95**
- 1951-52 Chevy 5" quads** . . . . . **\$124.95**
- 1953-54 Chevy** . . . . . **\$124.95**
- 1955-56 Chevy, for 3-3/8" quads** . . . . . **\$124.95**
- 1957 Chevy** . . . . . **\$139.95**

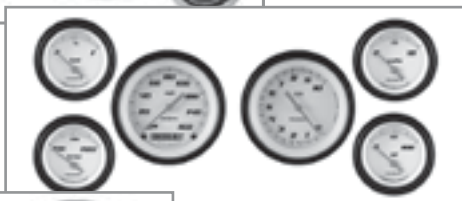
Gauges and Dash Panels

Gauges, Dash Panels, Power Windows



Velocity Series  
VS01WBLF

Hot Rod Series  
HR01SLF



Vintage Series  
VT02SLC



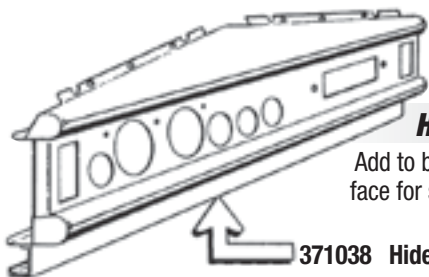
All-American Series  
AN51SLC

### CLASSIC INSTRUMENTS GAUGE SETS

Classic Industries uses the latest in technology for smooth action, reliability, accuracy and good looks. Choose from a variety of face styles, colors, sizes, and sweeps to match your car's style. Includes 3-3/8" electronic speedometers and tachometers and 2-1/8" oil pressure, water temperature, voltmeter, & fuel gauges. All necessary sending units are included.

- HR01SLF Hot Rod Series**, chrome bezels, black face, white pointers ..... **\$607.00**
- VS01WBLF Velocity Series**, black bezels, black or white face, orange needles..... **\$628.00**
- VT02SL Vintage Series**, polished bezels, cream face, red needles..... **\$481.00**
- AN51SLC All-American Nickel Series**, polished nickel bezels, nickel face, red needles, 5" speedo/tach, 2" . **\$913.00**

*Many sizes, colors and colors of each series available.*



### HIDE-A-SWITCH PANEL

Add to bottom of dash with 2" or 3" face for switch or other accessories. 47" and 60" for wider cars.

**371038 Hide-a-switch ..... \$55.00**



### POWER WINDOW SWITCH RELAY

If you want to use your original power window switches with these conversion kits, the polarity of the switches must be reversed. These Nu-Relic relays make it easy.

**PW relay ..... \$30.00**



1934 Ford  
Front Window

1949-51 Ford Front Window



Nostalgic  
Switches



Nu-Crank  
Window  
Switch

### NU-RELICS POWER WINDOW KITS

These kits are car specific and bolt to the original mounting holes and use the stock channels • Many have the option to remove the vent window • New American made Delco OEM Motors • Made of 1018 cold roll steel • Brass oilite thrust bearings at pivots • Gear plate teeth are hardened with cryogenics for longer life • Kits include standard chrome or black switches/wire harness and conduit • Nostalgic or Nu-Crank switches available • Lifetime warranty

**Model A, 1932 Ford Coupes and Sedans, 1933-34 Ford Coupes and Sedans, 1936-40 Ford Coupe, Sedan and Convert., 1941-48 Ford Coupe and Sedan, 1949-66 Ford HTs and Converts. 1964-70 Mustang, 1928-79 Ford Trucks, 1930-48 Chevy Coupes & Sedans, 1949-57 Chevy HTs, Sedans, Convertibles, 1958-76 Impala, Camaro, Chevelle, Nova, 1936-87 Chevy Trucks**

**Also available for Corvettes, T-Birds, Mopar, Studebakers**

**Most two door window conversions start at ..... \$450.00**

**Most four door window conversions start at ..... \$850.00**

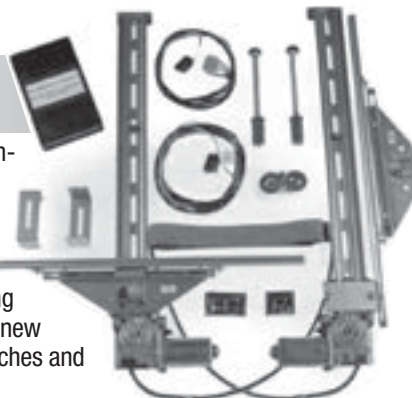
*Specify chrome or black switches*

**Nostalgic chrome switches- 2 window w/harness ..... \$225.00**

**Nu-crank switches- pair, add \$30 for harness..... \$178.00**

### SPECIALTY POWER WINDOWS

Specialty Power Window conversions include full printed and video instructions, hardware, and necessary templates, as well as GM switches and a full wiring harness. We use only brand new GM cable drive motors, switches and components.



**Tall T & Model A two door conversions start at ..... \$449.00**

**Street rod/universal two door conversions start at... \$449.00**

**Most four door window conversions start at ..... \$795.00**

**1955-57 Chevy HT 4 window Conversions..... \$795.00**

**1955-57 Chevy two door conversions ..... \$449.00**

**1967-69 Camaro coupe 4 window conversions. .... \$815.00**

**1964-72 Mid-size GM HT 4 window conversions ..... \$815.00**