

1928-1956 Pickup Truck Parts



1948-52 Ford pickup

1928-56 FORD REAR FENDERS-FIBERGLASS

- 1928-29 Specify L or R each \$275.00
- 1930-31 For "narrow" 41-1/2" wide bed, L or R . . ea \$275.00
- 1930-31 For "wide" 46" wide bed, L or R each \$275.00
- 1932 Pickup, Panel station wagon, L or R . . . each \$275.00
- 1933-34 Pickup, Panel, L or R each \$275.00
- 1935-37 Pick-up, L or R each \$390.00
- 1938-41 Pick-up, L or R each \$500.00
- 1942-47 Pick-up, L or R each \$500.00
- 1948-50 Pick-up, L or R each \$500.00
- 1951-52 Pick-up, L or R each \$500.00
- 1953-56 Pick-up, Stamped steel, L or R each \$400.00



1948-50 Ford pickup

WESCOTT 1928-56 FORD PICKUP FRONT FENDERS -FIBERGLASS

- 1928-29 specify early or late style, L or R each \$390.00
- 1930-31 specify 30 or 31 style, L or R each \$390.00
- 1932 Front fender, specify L or R each \$390.00
- 1933-34 Front fender, specify L or R each \$390.00
- 1935-37 Front fender, specify L or R each \$500.00
- 1938-39 Front fender, specify L or R each \$500.00
- 1938-39 Lower grille extension, specify L or R . . . each \$500.00
- 1940-41 Front fender, specify L or R each \$500.00
- 1942-47 N/A
- 1948-50 Front fender, specify L or R each \$525.00
- 1948-50 Front fender extension, specify L or R . . each \$250.00
- 1951-52 Front fender, specify L or R each \$525.00
- 1951-52 Front fender extension, specify L or R . . each \$175.00
- 1953-56 Steel, specify L or R each \$475.00

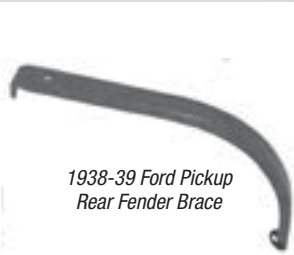


1940-41 Ford pickup

1928-56 FORD PICKUP INNER FRONT FENDERS

- 1935-36 Inner front fender, fiberglass each \$130.00
- 1937 Inner front fender, fiberglass each \$130.00
- 1938-39 Inner front fenders, fiberglass each \$175.00
- 1940-41 Inner front fenders, pair \$220.00
- 1940-41 Inner front fenders, Bitchin Steel pair \$306.00
- 1940-41 Inner front fenders, fiberglass each \$175.00
- 1953-56 Inner front fenders, Steel each \$325.00

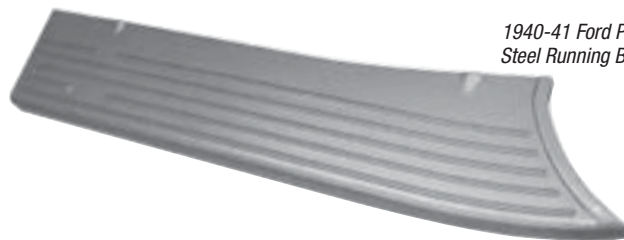




1938-39 Ford Pickup
Rear Fender Brace



1940-41 Ford Pickup
Front Fender Brace



1940-41 Ford Pickup
Steel Running Boards

FENDER BRACES

B-16025	1932 Front, L or R	each	\$35.00
40-16025	1933-34 Front ,	pair	\$90.00
40-16094	1933-34 Rear front, L or R	each	\$25.00
50-16094	1935-37 Front fender skirt brace	each	\$25.00
50-16391	1935-37 Rear fender, L or R	each	\$25.50
81C-16094	1938-39 Front, L or R	each	\$25.00
81C-16391	1938-41 Rear L or R	each	\$25.00
91A-16088/9	1940-41 Front, L or R ,	pair	\$75.00
BAAA-16010	1953-56 Front fender, L or R	each	\$25.00
BAAA-16148	1953-56 Front fender to cowl, L or R . . .	each	\$25.00
BAAA-16340A	1953-56 Rear fender bracket, L or R . . .	each	\$25.00



1933-34 Ford pickup
Splash Apron

1928-56 FORD PICKUP SPLASH APRONS

FSA2829A	1928-28 Stock style, fiberglass	each	\$120.00
FSA3031A	1930-31 Stock style, fiberglass	each	\$120.00
A-16527-B	1930-31 Stock style, steel	each	\$67.50
FSA32A	1932 Stock style, fiberglass	each	\$120.00
B-16527	1932 Stock style, steel	each	\$40.00
FSA3334PU	1933-34 Stock style, fiberglass	each	\$120.00
GSP35PU	1935 Grille inner apron, fiberglass	each	\$100.00
FSB36PU	1936-37 Grille lower shield, fiberglass . .	each	\$95.00
7C-8188	1948-50 Under grille panel, steel	each	\$225.00
B3C-8188-A	1953 Under grille panel, fiberglass	each	\$250.00
B4C-8188-A	1954 Under grille panel, fiberglass	each	\$250.00
B6C-8188-A	1955-56 Under grille panel, fiberglass .	each	\$250.00
BAAA-8311	1953-55 Air deflector, steel, L or R	each	\$120.00
BAAA-8310	1956 Air deflector, steel, L or R	each	\$80.00



LOWER BED SIDE PANELS

Stamped steel panel fills space between box and running boards in front of rear fenders.

10296-L/R	1935-37 Left or right	each	\$30.00
10298-L/R	1938-41 Left or right	each	\$26.00
10300-L/R	1942-47 Left or right	each	\$26.00

1928-56 FORD PICKUP STEEL RUNNING BOARDS

Quality, all-steel boards with all the original details and construction. Heavy gauge, die-formed steel with underside bracing. Most are available smooth or with the exact ribbed top pattern.

A-16450-A	1928-29 Steel, with rubber cover	pair	\$225.00
A-16450-APU	1928-29 Steel, commercial style with stamped diamond plate	pair	\$225.00
A-16450-A	1928-29 Steel, smooth	pair	\$199.00
5A2829A	1928-29 Running board splash aprons fiberglass, L or R	each	\$185.00
A-16450-BO	1930 Steel, with rubber cover	pair	\$225.00
A-16450-CM	1931 Steel, with rubber cover	pair	\$425.00
A-16450-BPU	1930-31 Steel, commercial style with stamped diamond plate	pair	\$225.00
A-16450-CSM	1930-31 Steel, smooth	pair	\$199.00
5A31A	1930 Running board splash aprons stamped steel	pair	\$345.00
5A31A	1931 Running board splash aprons fiberglass, L or R	each	\$185.00
B-16450-S	1932 Steel, with rubber cover	pair	\$475.00
B-16450-SM	1932 Steel, smooth	pair	\$250.00
46-16450-S	1933-34 Steel, w/stock diamond plate . .	pair	\$375.00
46-16450-SM	1933-34 Steel, smooth	pair	\$300.00
50-16450/1	1935-37 RH & LH	pair	\$825.00
81C-16450/1	1938-39 RH & LH	pair	\$700.00
01C-16450/1	1940-41 RH & LH	pair	\$700.00
1C-16450-S	1948-52 steel, w/stock ribs	pair	\$525.00
1C-16450-SM	1948-52 steel, smooth, no ribs	pair	\$525.00
BAAA-16450-PR	1953-56 steel, w/stock ribs	pair	\$550.00



FIBERGLASS RUNNING BOARDS

Heavy fiberglass replicas of original running boards with rubber cover detail molded in.

RB3537PU	1935-37 fiberglass, w/stock ribs, L or R . .	ea	\$375.00
RB3839PU	1938-39 fiberglass, w/stock ribs, L or R . .	ea	\$375.00
RB4041PU	1940-41 fiberglass, w/stock ribs, L or R . .	ea	\$375.00

1928-1956 Pickup Truck Parts

FIREWALLS AND FLOORS- BITCHIN' PRODUCTS & DIRECT SHEET METAL



1948-52 Ford Pickup



1948-52 Ford Pickup
Mid-Floor Section



1947-55 Chevy Pickup



1948-52 Ford Pickup
Rear Floor Section

BITCHIN' PRODUCTS FLOORBOARD KITS

Floorboard kits are made to fit with minimum trimming and will give a solid base to mount your seats. There is adequate clearance for the GM Turbo 350/400 series transmissions and kits include all sheet metal parts, hardware, instructions and body sealer needed to complete installation in a professional manner.

FORD FRONT FLOOR KITS

281005	1928-31 Front floor kit	\$155.00
321003	1932 Front floor specify firewall	\$282.00
351002	1933-39 Front floor	\$310.00
401002	1940-47 Front floor	\$310.00
481000	1948-52 Front floor small, big block	\$340.00
531322	1953-55 Front floor stock replacement, R ea	\$100.00
531323	1953-55 Front floor stock replacement, L ea	\$100.00
531324	1956 Front floor stock replacement, R ea	\$100.00
531225	1956 Front floor stock replacement, L ea	\$100.00

CHEVY FRONT FLOOR KITS

751002	1947-55 Front floor for stock firewall	\$325.00
751003	1947-55 Front floor for bitchin firewall	\$325.00
752115	1955-59 Front floor	\$285.00

BITCHIN' PRODUCTS REAR FLOORBOARD KITS

FORD REAR FLOOR KITS

281056	1928-31 Closed Cab P.U. rear floor	\$270.00
481036	1948-52 Rear floor kit	\$114.00
531225	1953-56 Rear floor stock replacement ea	\$199.00

CHEVY REAR FLOOR KITS

751004	1947-55 Rear floor kit	\$210.00
--------	------------------------	----------

BITCHIN' PRODUCTS FIREWALLS

FORD PICKUPS		small block (set back)	big block (set back)
1928-29	281000 (4")	...\$325.00	
1930-31	301005 (2.5")	...\$335.00	301000 (4.5")...\$389.00
1932	321040 (2.75")	...\$375.00	321042 (5")\$375.00
1933-34	331000\$380.00	t
1935-36	351000 (3")	...\$380.00	
1937-39	371000 (3")	...\$380.00	
1940-47	401000 (2")	...\$310.00	
1948-52	481000 (3")	...\$340.00	

CHEVY PICKUPS

1947-55	751000 (3")	...\$355.00	small or big block
1955-59	752100 (4")	...\$440.00	small or big block
1955-59	752399\$255.00	stock replacement

TECHNICAL INFORMATION

The set back information provided is for reference only. The descriptions are intended to help you to determine which firewall kit will best fit your application. Be sure to check all measurements before ordering your kit. There are many factors which will affect your choice, engine setback, radiator core thickness, air conditioning or superchargers. If you have any questions, please call.



1948-52 Ford Pickup Front Floor Section



1955 Chevy Pickup Rear Floor Section

1928-1956 Pickup Truck Parts

1937 Ford Pickup



1934 Ford Pickup Four Piece Hood



3537FCC



4047FCBM



4852CM

COWL PATCH REPAIR PANELS

1928-56 FORD PICKUP

A-114-A	1928-29 pair	\$100.00
A-114-B	1930-31 pair	\$22.50
B-814	1932-34 pair	\$60.00
3537FCC	1935-37 pair	\$150.00
3839FCC	1938-39 pair	\$165.00
4047FCC	1940-41 pair	\$150.00
4047FCBM	1940-47 Front cab mount pair	\$75.00
4047HP	1940-47 Lower door hinge post pair	\$50.00
4852FCC-L	1948-52-Drivers side each	\$55.00
4852FCC-R	1948-52-Pass. side each	\$55.00
4852DHP	1948-52 Lower door hinge post pair	\$50.00
4852FCM	1948-52 Cowl Inner-front cab mounts pair	\$45.00
BAAA-8102054-PR	1953-56 pair	\$100.00

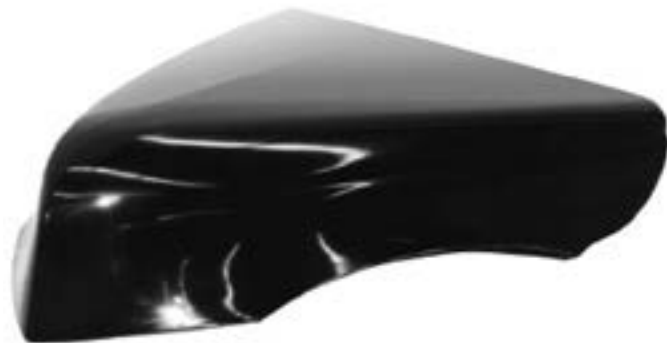
STEEL HOODS BY ROOTLIEB.

Sold as a complete four piece kit with stock style side panels. Two piece hood tops include center hinge strip, side panels include hood handles, latch clips, and hinge rods. Also available with a one piece top. Three piece hood panels do not include any hardware. Hood tops are available smooth or louvered, Sides are available stock, smooth, with one or two scoops or with 3 or 4 row hot rod louver pattern. Please call.

FORD PICKUP HOODS Complete stock style four piece hood with original louvers. One piece top, many other options available

- 1928-29, '32 style center strip kit
- 1930-31, '32 style center strip kit
- 1932-34kit
- 1935-37kit

PLEASE CALL FOR PRICES ON ALL HOODS.



WESTCOTT HOODS.

One piece fiberglass with internal steel cage. Hood latch and hinges mount to steel structure.

HD4041PU 1940-41 Ford Pickup fiberglass.....ea **\$1175.00**

4852DHP



3537RCC

QUARTER PATCH-CAB CORNER REPAIR PANELS

1928-56 FORD PICKUP

A-1051-A	1928-29 Rear body Corner, L or R each	\$45.50
A-870-B	1930-31 Rear body Corner, L or R each	\$45.00
B-870	1932-34 pair	\$90.00
3537RCC	1935-37 pair	\$70.00
4047RCC	1940-41 pair	\$75.00
7C-8140302-PR	1948-52 pair	\$90.00
BAAA-8140302-PR	1953-56 pair	\$100.00



1928-1956 Pickup Truck Parts

1928-1956 Pickup Truck Parts



DOOR BOTTOM REPAIR PANELS

1928-1956 FORD PICKUP

281419	1928-29	pair	\$41.00
A-436-B	1930-31 6" tall	pair	\$50.00
A-436-IB	1930-31 Inner panel	pair	\$50.00
B-836	1932-34 Pick-up, outer	pair	\$65.00
B-836-I	1932-34 Pick-up, inner door bottoms	pair	\$45.00
3537ODSK	1935-37 Outer door skin	pair	\$75.00
3537IDBOT	1935-37 Inner door bottoms	pair	\$85.00
3847ODSK	1938-47 Outer door skin	pair	\$75.00
01C-836	1938-47 Outer door skin	pair	\$95.00
3847IDBOT	1938-47 Inner door bottoms	pair	\$95.00
BAAA-8120200	1953-56 Outer door skin	pair	\$130.00
BAAA-8120120	1953-56 Inner door panels	pair	\$90.00



ROCKER REPAIR PANELS

1928-1956 FORD PICKUP

3537RP	1935-37	pair	\$95.00
4047RP	1940-47	pair	\$75.00
4852RP	1948-52	pair	\$35.00
BAAA-8110110	1953-56	pair	\$100.00



LOWER REAR CAB PANELS

1928-1956 FORD PICKUP - repairs across rear bottom of cab

A-877-A	1928-29 Roadster pickup	each	\$225.00
A-977-L	1928-29 Closed cab pickup	each	\$225.00
A-850-B	1930-31	each	\$75.00
B-850	1932-34	each	\$75.00
3537LRCP	1935-37	each	\$50.00
4047LRCP	1940-47	each	\$50.00



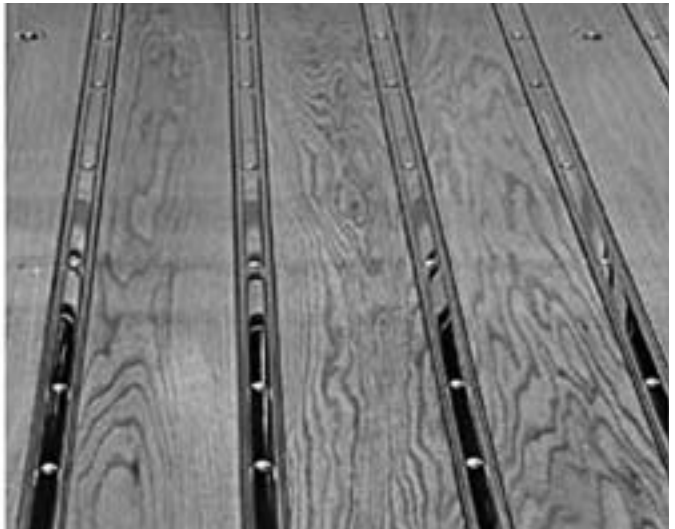
TAILGATE PARTS

TM-109	1938-50 Tailgate chain	\$65.00
10310	Inside latch	\$65.00



CAB MOUNTING WOOD

88033	1932-34 Oak kit	\$135.00
88034	1935-37 Hardwood kit	\$175.00
All holes drilled. Set of two. Also sometimes used on 1938-41.		
88036	1938-41 Hardwood Cab Mounting Blocks	\$155.00
Six piece set. Some cabs originally came with two long blocks and some came with these six short blocks. These work for both types.		



CUSTOM BED WOOD KITS

For all late 1931-50 Fords. An alternative kit to replace steel bed floor. Kit includes oak wood, steel strips, special spacers, bolts and brackets which make it appear to be factory.

Wood floor kit \$350.00

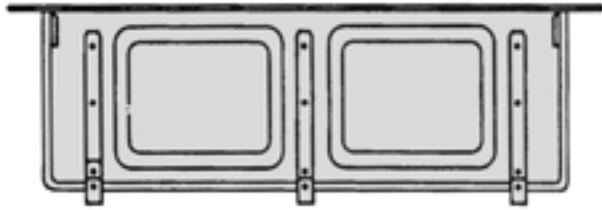
Wood floor kit with stainless steel strips . . . \$395.00

The stainless steel strips come without mounting holes and are easily drilled and cut to length. Square punching is available at \$2.00 per strip. Please provide your hole location measurements.

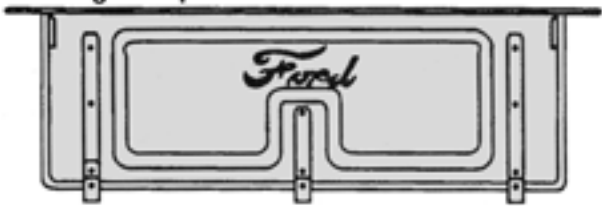


TAILGATE PARTS

10315	1938-50 Tailgate end, Cast iron Primed	\$15.00
10215	Late 1931-36 Tailgate hinge	\$8.95
Stamped steel. Primed. All holes drilled. (Three required per truck.) B78446		
10216	1937-52 Tailgate hinge	\$10.00
Stamped Steel. All holes drilled. Primed. 81C830860		
	Stainless	\$20.00



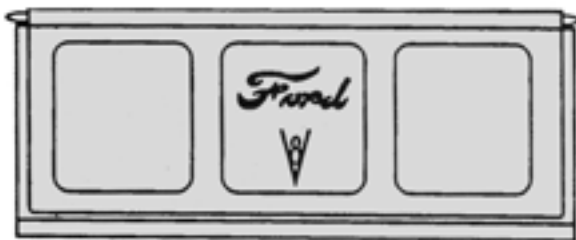
1931-34 FORD TAILGATE with Hinge Straps
46-3/4" wide- outer lip to outer lip



1935-36 FORD TAILGATE with Hinge Straps
46-3/4" wide- outer lip to outer lip



1937 FORD TAILGATE
46-3/4" wide- outer lip to outer lip



1938-40 FORD TAILGATE
46-3/4" wide- outer lip to outer lip. 81C-830700

FORD REPRODUCTION TAILGATES

Available for 1926 to 72 Ford and 1947-59 Chevy trucks. All die stamped steel with all the details of the original. Primed and ready to finish.

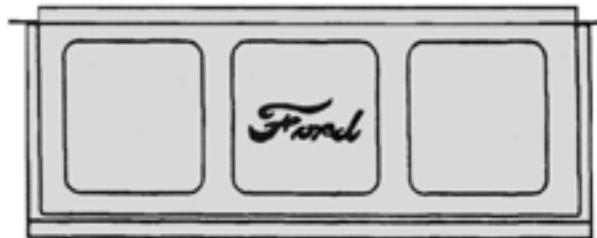
10137	1931-34 Ford	\$315.50
10138	1935-36 Ford	\$290.50
10139	1937 Ford	\$290.50
10140	1938-40 Ford	\$290.50
10141	1941 Ford	\$290.50
10142	1942-50 Ford	\$290.50
10143	1950-52 Ford	\$290.50
10144	1953-72 Ford	\$375.50
	1947-59 Chevy/GMC	starting at \$210.00



1941 FORD TAILGATE
46-3/4" wide- outer lip to outer lip. 11C-40700



1942-50 FORD TAILGATE
49-3/4" wide- outer lip to outer lip. 21C-8340700



1950-52 FORD TAILGATE
49-3/4" wide- outer lip to outer lip. 8C-40700



1953-72 FORD TAILGATE
50" wide- outer lip to outer lip. B7C-8340700A
(Dennis Carpenter)



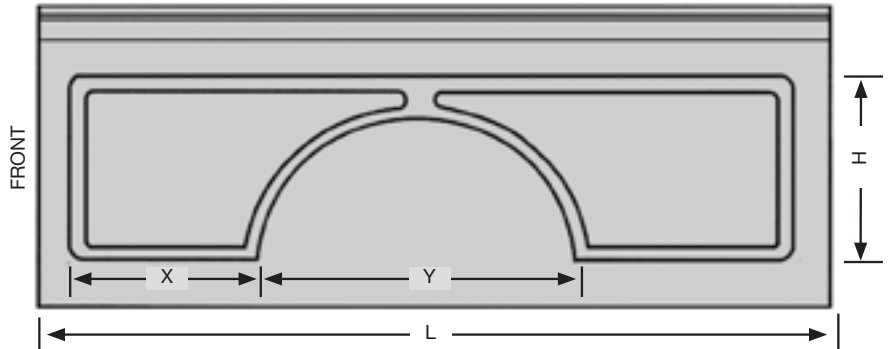
FORD 1/2 TON REPRODUCTION BED SIDES

Available for 1926 to 56 Ford trucks. All bed sides are die stamped steel with all the details of the original. Primed and ready to finish. Available with or without stake holes. Stake pockets are not included

1928-37 BED SIDES

10101	1928-31 LH (61" long)	Call for prices
10102	1928-31 RH (61" long)	Call for prices
10103	1931 Wide bed LH	\$290.00
10104	1931 Wide bed RH	\$290.00
10105	1932 LH	\$290.00
10106	1932 RH	\$290.00
10107	1932 LH short*	\$290.00
10108	1932 RH short*	\$290.00
10109	1933-34 LH	\$290.00
10110	1933-34	\$290.00
10111	1933-34 LH short*	\$290.00
10112	1933-34 RH short*	\$290.00
10113	1935-36 LH	\$290.00
10114	1935-36 RH	\$290.00
10115	1937 LH	\$290.00
10116	1937 RH	\$290.00

* 1932 Short- 55" long, 1933-34 Short- 60" long

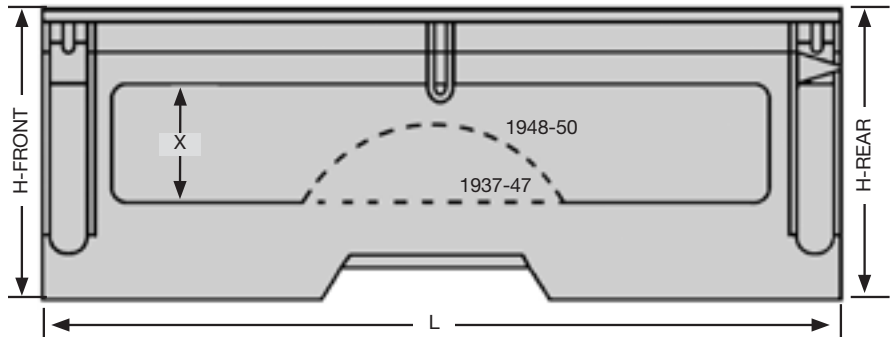


YEAR	X	Y	L	H
1928-31	4.0"	27.0"	56.5"	8.0"
1931 Wide bed	4.0"	31.0"	61.0"	12.0"
1932	4.0"	34.5"	65.5"	16.5"
1933-34	9.0"	34.5"	70.5"	16.5"
1936-36 #50-830500 16"	16.0"	37.0"	70.5"	16.5"
1937	16.0"	37.0"	74.5"	16.5"

All panels also have the correct stamped design in the wheel opening (approximately where the "Y" is located in the above drawing).

1938-50 BED SIDES

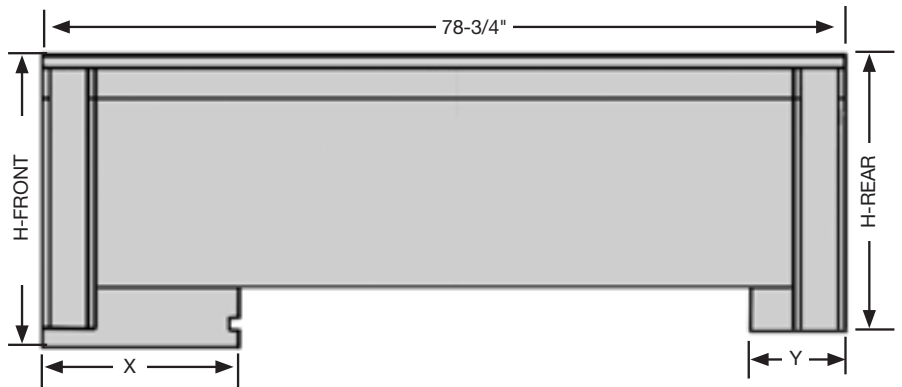
10117	1938-47 LH	\$275.00
10118	1938-47 RH	\$275.00
10121	1948-50 LH	\$275.00
10122	1948-50 LH	\$275.00



YEAR	H-FRONT	H-REAR	L	X	BOX WIDTH
1938-41 #81C830500	25.25"	25.25"	78.75"	12.0"	46.0"
1942-47 #81C830500	25.25"	25.25"	78.75"	12.0"	49.0"
1948-50	27.00"	25.25"	78.75"	12.0"	49.0"

1951-56 BED SIDES

10123	1951-52 LH	\$260.00
10124	1951-52 RH	\$260.00
10125	1953-72 LH	\$260.00
10126	1953-72 RH	\$260.00



YEAR	H-FRONT	H-REAR	Y	X	BOX WIDTH
1951-52	27.75"	25.25"	5.50"	17.50"	49.0"
1953-72	27.75"	25.25"	8.25"	15.75"	49.0"

1928-1956 Pickup Truck Parts



COMPLETE UN-ASSEMBLED BED KITS-FORD

11113/1	1931 Wide bed	\$2,350.00
11115/1	1932 1/2 Ton (short version available)	\$2,350.00
11117/1	1933-34 1/2 Ton (short version available)	\$2,350.00
11119/1, 11121/1	1935-36, 1937	\$2,350.00
11123/1, 11121/1	1938-40, 1941	\$2,350.00
11127/1, 11129/1	1942-47, 1948-50	\$2,350.00
11131/1, 11133/1	1950-52, 1953-72	\$2,000.00

CHEVY/GMC

44113/3	1933-36 Smooth or Chevy tailgate	\$1,795.00
44115/3	1937-39 Smooth or Chevy tailgate	\$1,795.00
44117/3	1940 Smooth or Chevy tailgate	\$1,795.00
44119/3	1941-46 Smooth tailgate	\$1,795.00
44121/3	1947-50 Chevy or GMC tailgate	\$1,795.00
44121/3	1951-53 Chevy or GMC tailgate	\$1,795.00

Note: Chevy/GMC kits do not include bed wood.

COMPLETE PICKUP BED KITS

This is a complete kit with everything you need to assemble a new bed. Made of 16 gauge steel. Fender holes are not pre-drilled but everything is pre-fit to help assembly. Fenders are not included. Also available assembled.

Parts Included in kit -

- Front Bed Panel
- Pair of Bedside Assemblies
- Complete Sub-frame
- Tailgate - Now Available
- Pair Tailgate Chains
- Pair Tailgate Hinges
- Floor Adapter kit
- Set of Bed wood
- Set of Steel Strips
- Cap Strip for Back Edge of Floor

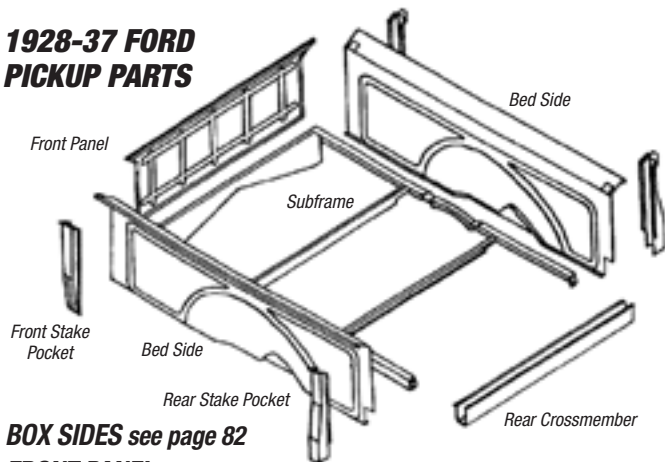
- Complete Bed Assembly Bolt Kit includes Fender Bolts & Rivets
- Pair of Lower Bed Extension Panels

Stainless options -

- Stainless Strips - add \$120.00
- Stainless Cap Strip - add \$25.00
- Stainless Strip Bolts - add \$35.00
- Stainless Bed Mount Kit - add \$45.00

1931-50 Ford complete assembled bed	\$2,950.00
1950-52 Ford complete assembled bed	\$2,350.00
1953-72 Ford complete assembled bed	\$2,450.00
1934-53 Chevy/GMC complete assembled bed	\$1,935.00
Crating charge for kit	\$50.00
Crating charge for assembled bed	\$100.00

1928-37 FORD PICKUP PARTS



BOX SIDES see page 82

FRONT PANEL

10755	1928-31	each \$92.00
10756	1931 Wide bed	each \$200.00
10757	1932-37	each \$180.00

STAKE POCKETS

10267	1926-31 Front	each \$34.00
10268, 10269	1931-37 Front, rear	each \$34.00

CROSSMEMBERS

22001	1928-31	each \$30.00
22002	1931 Wide bed	each \$50.00
22004	1932	each \$50.00
22007	1933-34	each \$50.00

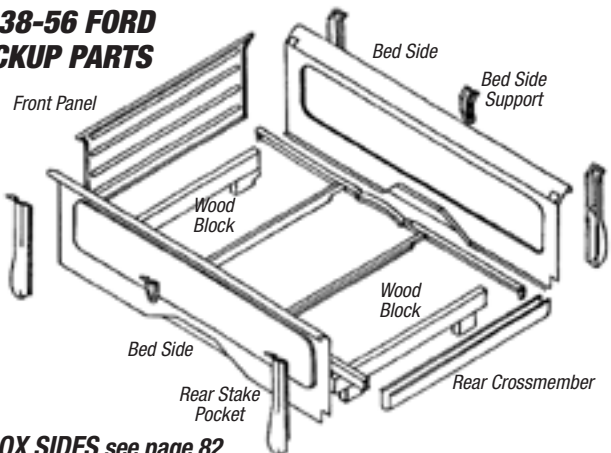
REAR CROSSMEMBER

20336	1931 Wide Bed	each \$72.00
20337	1932-37	each \$60.00

SIDE SUB-RAILS

1928-37 Left or Right	each \$85.00
-----------------------	--------------

1938-56 FORD PICKUP PARTS



BOX SIDES see page 82

FRONT PANEL

10758	1938-41	each \$150.00
10759	1942-50	each \$150.00
10760	1950-72	each \$150.00

STAKE POCKETS

10270	1938-50 Front and rear same	each \$30.00
10271	1950-72 Front and rear same	each \$24.00

FRONT & CENTER CROSSMEMBER

22011	1935-41	each \$75.00
22015	1942-50	each \$50.00
22018	1950-72	each \$50.00

REAR CROSSMEMBER

20338	1938-41	each \$ 60.00
20339	1942-50	each \$ 60.00
20340	1951-72	each \$ 75.00

SIDE SUB-RAILS

1938-50	each \$85.00
---------	--------------

BED SIDE SUPPORT

10304	1937-50 Left or right	each \$14.00
-------	-----------------------	--------------

Call 402.886.2275 or click: www.heinzmanstreetrods.com

1928-1956 Pickup Truck Parts