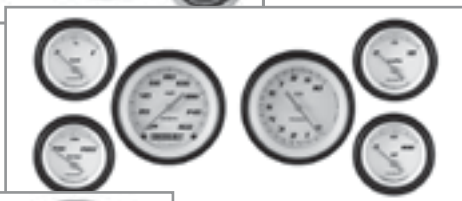


Gauges, Dash Panels, Power Windows



Velocity Series  
VS01WBLF

Hot Rod Series  
HR01SLF



Vintage Series  
VT02SLC



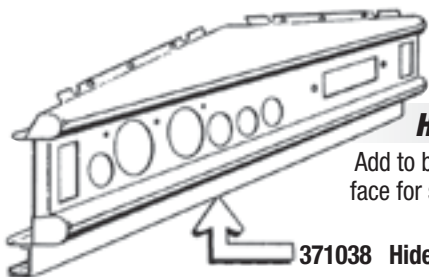
All-American Series  
AN51SLC

### CLASSIC INSTRUMENTS GAUGE SETS

Classic Industries uses the latest in technology for smooth action, reliability, accuracy and good looks. Choose from a variety of face styles, colors, sizes, and sweeps to match your car's style. Includes 3-3/8" electronic speedometers and tachometers and 2-1/8" oil pressure, water temperature, voltmeter, & fuel gauges. All necessary sending units are included.

- HR01SLF Hot Rod Series**, chrome bezels, black face, white pointers ..... **\$607.00**
- VS01WBLF Velocity Series**, black bezels, black or white face, orange needles..... **\$628.00**
- VT02SL Vintage Series**, polished bezels, cream face, red needles..... **\$481.00**
- AN51SLC All-American Nickel Series**, polished nickel bezels, nickel face, red needles, 5" speedo/tach, 2" . **\$913.00**

*Many sizes, colors and colors of each series available.*



### HIDE-A-SWITCH PANEL

Add to bottom of dash with 2" or 3" face for switch or other accessories. 47" and 60" for wider cars.

**371038 Hide-a-switch ..... \$55.00**



### POWER WINDOW SWITCH RELAY

If you want to use your original power window switches with these conversion kits, the polarity of the switches must be reversed. These Nu-Relic relays make it easy.

**PW relay ..... \$30.00**

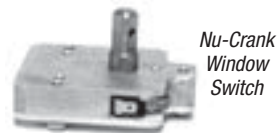


1934 Ford  
Front Window

1949-51 Ford Front Window



Nostalgic  
Switches



Nu-Crank  
Window  
Switch

### NU-RELICS POWER WINDOW KITS

These kits are car specific and bolt to the original mounting holes and use the stock channels • Many have the option to remove the vent window • New American made Delco OEM Motors • Made of 1018 cold roll steel • Brass oilite thrust bearings at pivots • Gear plate teeth are hardened with cryogenics for longer life • Kits include standard chrome or black switches/wire harness and conduit • Nostalgic or Nu-Crank switches available • Lifetime warranty

**Model A, 1932 Ford Coupes and Sedans, 1933-34 Ford Coupes and Sedans, 1936-40 Ford Coupe, Sedan and Convert., 1941-48 Ford Coupe and Sedan, 1949-66 Ford HTs and Converts. 1964-70 Mustang, 1928-79 Ford Trucks, 1930-48 Chevy Coupes & Sedans, 1949-57 Chevy HTs, Sedans, Convertibles, 1958-76 Impala, Camaro, Chevelle, Nova, 1936-87 Chevy Trucks**

**Also available for Corvettes, T-Birds, Mopar, Studebakers**

**Most two door window conversions start at ..... \$450.00**

**Most four door window conversions start at ..... \$850.00**

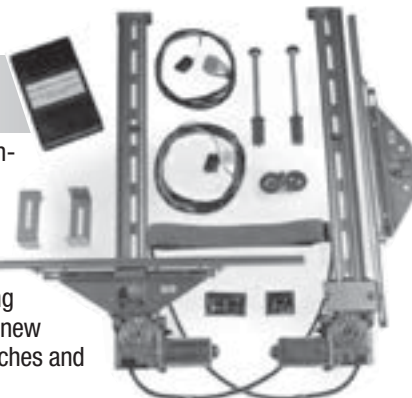
*Specify chrome or black switches*

**Nostalgic chrome switches- 2 window w/harness ..... \$225.00**

**Nu-crank switches- pair, add \$30 for harness..... \$178.00**

### SPECIALTY POWER WINDOWS

Specialty Power Window conversions include full printed and video instructions, hardware, and necessary templates, as well as GM switches and a full wiring harness. We use only brand new GM cable drive motors, switches and components.



**Tall T & Model A two door conversions start at ..... \$449.00**

**Street rod/universal two door conversions start at... \$449.00**

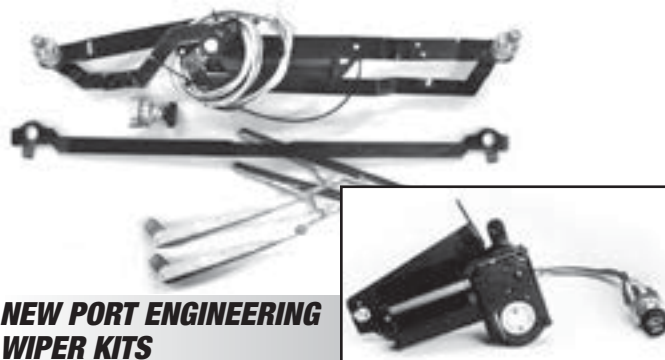
**Most four door window conversions start at ..... \$795.00**

**1955-57 Chevy HT 4 window Conversions..... \$795.00**

**1955-57 Chevy two door conversions ..... \$449.00**

**1967-69 Camaro coupe 4 window conversions. .... \$815.00**

**1964-72 Mid-size GM HT 4 window conversions ..... \$815.00**



## SPECIALTY POWER WIPER KITS

Specialty Power Windows universal Dual-Wiper Drive Kit has two wiper shafts that will accept 1/2 inch fine spline knurl or 1/4 inch wiper arms . The output shafts are cable driven by a remote mounted commercial duty 300 in. lbs. stall torque 2 speed wiper motor. The sweep is adjustable from 90 degrees to 160 degrees in 10 degree increments. Kits are available with an adjustable delay 2-speed intermittent self park switch with or a 2-speed self park switch (rotary knob or black rocker).

These dual wiper kits are best suited for cars under construction. Motors can be mounted in kick panels or under dash. Wipers can be over or below windshield Some applications will require modifications to the original holes. All universal kits come with written and video instructions. (Kits Do Not Include Arms and Blades) Standard kits come with a 72" drive cable. A 144" Drive Cable and Tubing is optional.

- Universal wiper kit w/2 spd rotary or rocker switch, 72" . . . \$289.00**
- Universal wiper kit w/2 spd intermittent switch, 72" . . . . . \$314.00**
- Universal wiper kit w/2 spd rotary or rocker switch, 144" . . \$290.00**
- Universal wiper kit w/2 spd intermittent switch, 144" . . . . . \$324.00**
- 1947-59 Chevy PU w/2 spd rotary or rocker switch . . . . . \$325.00**
- 1947-59 Chevy PU w/2 spd intermittent switch . . . . . \$359.00**
- 1955-57 Chevy cars w/2 spd rotary or rocker switch . . . . . \$350.00**
- 1955-57 Chevy cars w/2 spd intermittent switch . . . . . \$384.00**

*Most kits are also available without wiring or switches*

## ELECTRIC WIPER MOTORS

Brackets are designed to bolt-in and work with original linkage. Includes bracket, 12V motor, two-speed switch, wiring. Does not work with factory radio.

- A-17508HD12 1940 Ford electric wiper kit . . . . . \$229.95**
- 11A-17508 1941-42 Ford electric wiper kit . . . . . \$229.95**
- 51A-17508 1946-48 Ford electric wiper kit . . . . . \$229.95**
- 1937-40 Chevy electric wiper kit . . . . . \$229.95**
- 1941-48 Chevy electric wiper kit . . . . . \$229.95**
- 1947-53 Chevy PU electric wiper kit . . . \$229.95**



## NEW PORT ENGINEERING WIPER KITS

New Port Engineering **Clean Wipe Wiper Drive kits** are designed to work with the original wiper linkage and brackets. They are not universal kits. Each is designed for a specific car or truck and include a two speed switch and nylon bushings for the linkage arms.

The **Clean Sweep Wiper Systems** include a complete bracket and linkage assembly to replace the original parts. These kits include everything you need, heavy duty 2-speed motor, all mounting brackets, bronze oilite bushed transmissions, linkage, wiring harness, switch, and polished stainless steel wiper arms and blades. It also includes a drill jig to perfectly locate both holes in your header. 3 year warranty.

- 1926-27 Ford T Coupe & Sedan, Clean Sweep System . . . \$389.00**
- 1928-29 Ford A Coupe & Sedan, Clean Sweep System . . . \$389.00**
- 1930-31 Ford A Coupe & Sedan, Clean Sweep System . . . \$389.00**
- 1932 Ford 3-W Coupe & Sedan, Clean Sweep System . . . \$449.00**
- 1935-38 Ford Coupe & Sedan, Clean Sweep System. . . . . \$389.00**
- 1937-39 Ford Cabriolet, Convertible, Woody . . . . . \$229.95**
- 1939-48, 49-61 Ford Coupe & Sedan . . . . . \$229.95**
- 1928-31 Ford Pickup, Clean Sweep System. . . . . \$389.00**
- 1932-34 Ford Pickup, Clean Sweep System. . . . . \$409.00**
- 1940-47 Ford Pickup, Clean Sweep System. . . . . \$409.00**
- 1948-60 Ford Pickup . . . . . \$229.95**
- 1935-66 Chevy . . . . . \$229.95**
- 1962-67 Chevy Nova . . . . . \$229.95**
- 1967-69 Chevy Camaro . . . . . \$229.95**
- 1968-72 Chevy Chevelle . . . . . \$229.95**
- 1939-46 Chevy Pickup, Clean Sweep System . . . . . \$409.00**
- 1947-72 Chevy/GMC Pickup . . . . . \$229.95**

*Some kits may require an extension for the included switch shaft to use in the stock switch location. Available separately.*

## UNIVERSAL ELECTRIC WIPER MOTORS

Universal electric wiper motor and arm. Works well on 1939 and earlier Ford coupes and sedans.

- A-17508-E12 . . . . . \$55.00**



Power Windows and Wipers