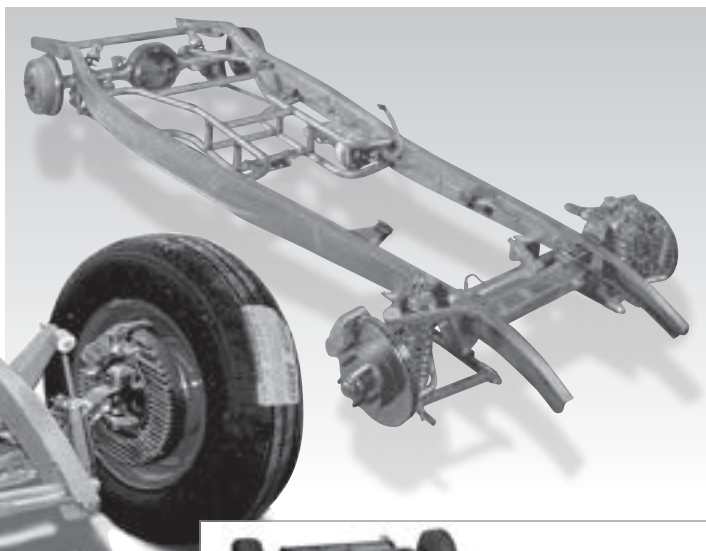


COMPLETE CHASSIS
 Starting at **\$8,895.00 with IFS**
\$8,450.00 with Solid Front Axle



1932 FORD NEW REPRODUCTION FRAMES AND CHASSIS

BASIC FRAME, *Standard Features:*

1. Precision jig welded to insure proper alignment
2. All welds are heliarc to insure super strong joints
3. Deuce Factory frame rails
4. 3/16" thick die formed front crossmember
5. Boxed in all necessary places with 3/16" plate
6. 1-1/4" and 1-1/2" tubing center crossmembers and braces
7. Engine and transmission mounts (small block Chevy or Ford)
8. Rear crossmember set up for Eliminator coil-over shocks
9. Front and rear spreader bars

Frame Rails \$995.00

Basic Frame \$4,695.00

Basic Frame (using customers stock rails) \$4,095.00

(Any repair that original rails require will cost extra)

As with all HEINZMAN STREET ROD products, any part or any stage of completion is available.

1932 CHASSIS with Independent front suspension

1. Boxed frame with tubular "X" member and "C" notched for rear axle clearance, front and rear spreader bars, frame primed
2. Engine mounts, spreader bars, brake pedal (power or manual)
3. Heidts Superide Independent front suspension
4. 9" Ford rear housing with axles and rebuilt center section
5. Rear 4-bar suspension (triangulated link or parallel) with coil-overs and panhard bar
6. Rear drum brakes (10 x 2.5")

Chassis with IFS \$8,895.00

1932 CHASSIS with straight front axle

1. Boxed frame with tubular "X" member and "C" notched for rear axle clearance, front and rear spreader bars, frame primed
2. Engine mounts, spreader bars, brake pedal (power or manual)
3. Dropped axle, 4-bar or hairpins, Vega cross steering, panhard bar
4. 9" Ford rear housing with axles and rebuilt center section
5. Rear 4-bar suspension (triangulated link or parallel) with coil-overs and panhard bar
6. Front discs with GM calipers, Rear drum brakes (10 x 2.5")

Chassis with straight front axle \$8,450.00

1932 CHASSIS Options

- a. Super-Stopper front brake upgrade for dropped axle . **\$895.00**
- b. Rear brake upgrade
 - Wilwood discs with parking brake **\$400.00**
 - Wilwood discs without parking brake **\$300.00**
- c. Brake and fuel line package **\$650.00**
- d. Chassis painted. **\$1,050.00**
- e. Front sway bar (IFS) **\$220.00**
- f. Rear sway bar **\$265.00**
- g. Tru-Trac differential **\$500.00**
- h. Polished stainless steel parts (4-bar, shackles, shocks tie rods, etc) **\$690.00**
- i. Billet rack & pinion **\$599.00**
- j. Brake booster and master cylinder **\$220.00**
- k. Stainless steel A-arm package **\$1400.00**
- l. Front sway bar (solid axle). **\$249.00**
- m. Stainless steel tie rod ends (IFS) **\$78.00**
- n. Stainless steel spreader bars. **\$75.00**

Call 402.886.2275 or click: www.heinzmanstreetrods.com

1932 Ford Frame Packages