



AUTOMETER GAUGE KITS

STREET ROD SERIES with vintage style dome lens

These gauge sets use "around-the-dial" lighting with either red or green tinted bulbs. Includes 3-1/8" electronic or mechanical speedometer and 2-1/16" oil pressure, water temperature, voltmeter, & fuel gauges. All necessary sending units are included. Fuel sender may not work with all stock fuel tanks. Electronic speedometer sender sold separately.

- 1300 Arctic White mechanical speedometer, chrome bezels, white face, red needles \$334.00
- 1302 Arctic White electronic speedometer, chrome bezels, white face, red needles \$449.99
- 1808 Antique Beige mechanical speedometer, chrome bezels, light tan face, red needles \$334.00
- 1809 Antique Beige electronic speedometer, chrome bezels, light tan face, red needles \$449.00
- Matching Tach. \$124.95
- 5291 Hall Effect Speedometer Sender Most GM/Chry. . . \$94.95
- 5292 Hall Effect Speedometer Sender Ford Plug-in . . . \$94.95



STREET ROD SERIES with vintage style dome lens (cont)

- 1601 Old Tyme White mechanical speedometer, chrome bezels, tan face, black needles \$339.00
- 1602 Old Tyme White electronic speedometer, gold bezels, tan face, black needles \$499.00



STREET ROD FIVE INCH QUAD SERIES

- 1303 Arctic White electronic quad/speed set, 5" . . . \$483.99
- 1399 Arctic White tachometer, 5" \$161.00
- 1403 Designer Black electronic quad/speed set, 5" . \$497.99
- 1499 Designer Black tachometer, 5" \$161.00



1932 Ford

1940 Ford



1941-48 Chevy



1953-54 Chevy



1942-48 Ford

BOESE GAUGE PANELS

Machined aluminum panel. Gauges and factory chrome trim not included.

1955-56 Chevy



- 1932-40 Ford \$124.95
- 1942-48 Ford gauge panel \$89.95
- 1942-48 Ford speedometer, 5" trim ring \$89.95
- 1934-50, 1953-55 Ford pick-up \$124.95
- 1951-52 Ford pick-up \$99.95
- 1936 Chevy for 3-3/8" quads \$124.95
- 1937-39 Chevy \$99.95
- 1937-38 Chevy glove box \$99.95
- 1940 Chevy \$145.95
- 1941-48 Chevy 4 gauge panel. \$85.95
- 1941-48 Chevy 5" speedometer insert. \$99.95
- 1941-48 Chevy 5" tach insert \$99.95
- 1947-53 Chevy pickup 5" quads. \$99.95
- 1951-52 Chevy 5" quads. \$124.95
- 1953-54 Chevy \$124.95
- 1955-56 Chevy, for 3-3/8" quads \$124.95
- 1957 Chevy \$139.95

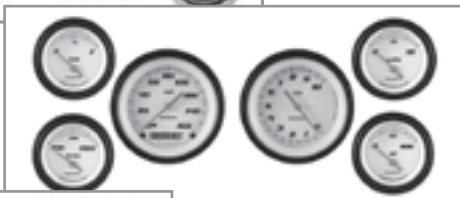
Gauges and Dash Panels

Gauges, Dash Panels, Power Windows



Velocity Series
VS01WBLF

Hot Rod Series
HR01SLF



Vintage Series
VT02SLC



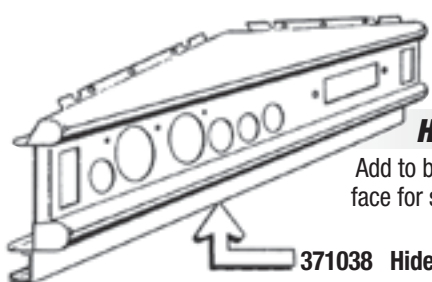
All-American Series
AN51SLC

CLASSIC INSTRUMENTS GAUGE SETS

Classic Industries uses the latest in technology for smooth action, reliability, accuracy and good looks. Choose from a variety of face styles, colors, sizes, and sweeps to match your car's style. Includes 3-3/8" electronic speedometers and tachometers and 2-1/8" oil pressure, water temperature, voltmeter, & fuel gauges. All necessary sending units are included.

- HR01SLF Hot Rod Series**, chrome bezels, black face, white pointers **\$607.00**
- VS01WBLF Velocity Series**, black bezels, black or white face, orange needles..... **\$628.00**
- VT02SL Vintage Series**, polished bezels, cream face, red needles..... **\$481.00**
- AN51SLC All-American Nickel Series**, polished nickel bezels, nickel face, red needles, 5" speedo/tach, 2" . **\$913.00**

Many sizes, colors and colors of each series available.



HIDE-A-SWITCH PANEL

Add to bottom of dash with 2" or 3" face for switch or other accessories. 47" and 60" for wider cars.

371038 Hide-a-switch \$42.50



POWER WINDOW SWITCH RELAY

If you want to use your original power window switches with these conversion kits, the polarity of the switches must be reversed. These Nu-Relic relays make it easy.

PW relay \$30.00



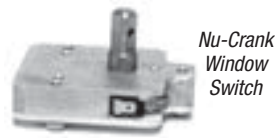
1934 Ford
Front Window



1949-51 Ford Front Window



Nostalgic
Switches



Nu-Crank
Window
Switch

NU-RELICS POWER WINDOW KITS

These kits are car specific and bolt to the original mounting holes and use the stock channels • Many have the option to remove the vent window • New American made Delco OEM Motors • Made of 1018 cold roll steel • Brass oilite thrust bearings at pivots • Gear plate teeth are hardened with cryogenics for longer life • Kits include standard chrome or black switches/wire harness and conduit • Nostalgic or Nu-Crank switches available • Lifetime warranty

Model A, 1932 Ford Coupes and Sedans, 1933-34 Ford Coupes and Sedans, 1936-40 Ford Coupe, Sedan and Convert., 1941-48 Ford Coupe and Sedan, 1949-66 Ford HTs and Converts. 1964-70 Mustang, 1928-79 Ford Trucks, 1930-48 Chevy Coupes & Sedans, 1949-57 Chevy HTs, Sedans, Convertibles, 1958-76 Impala, Camaro, Chevelle, Nova, 1936-87 Chevy Trucks

Also available for Corvettes, T-Birds, Mopar, Studebakers

Most two door window conversions start at..... \$450.00

Most four door window conversions start at \$850.00

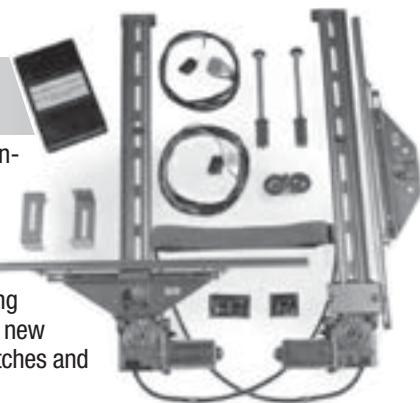
Specify chrome or black switches

Nostalgic chrome switches- 2 window w/harness \$225.00

Nu-crank switches- pair, add \$30 for harness..... \$178.00

SPECIALTY POWER WINDOWS

Specialty Power Window conversions include full printed and video instructions, hardware, and necessary templates, as well as GM switches and a full wiring harness. We use only brand new GM cable drive motors, switches and components.



Tall T & Model A two door conversions start at \$449.00

Street rod/universal two door conversions start at. . . . \$449.00

Most four door window conversions start at \$795.00

1955-57 Chevy HT 4 window Conversions..... \$795.00

1955-57 Chevy two door conversions \$449.00

1967-69 Camaro coupe 4 window conversions. \$815.00

1964-72 Mid-size GM HT 4 window conversions \$815.00