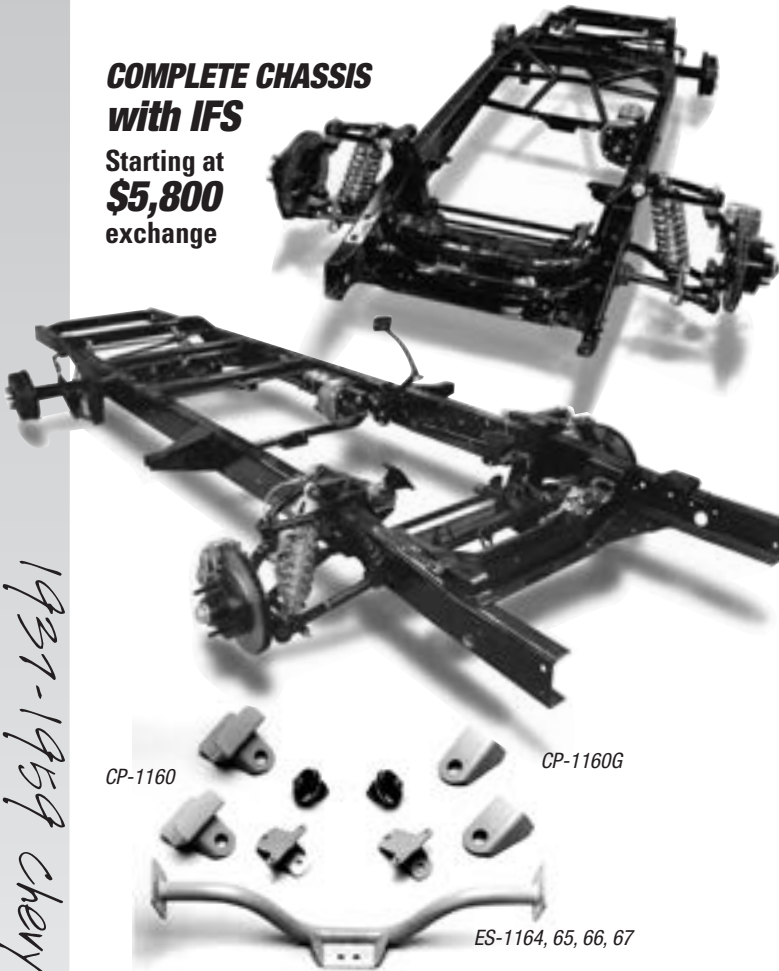


1937-1959 Chevy Pickup Suspension

COMPLETE CHASSIS with IFS

Starting at **\$5,800** exchange



ENGINE MOUNTING KIT

Includes bolt-on frame adapters (can also be welded on), Chassis Engineering engine side mounts, thru bolt cushion set, hardware and instructions. Easy to install.

- CP-1160 Engine Mounting Kit \$145.00**
- CP-1160G Engine Mounting Kit- weld-on for non-CE Pinto/Mustang IFS crossmembers. \$145.00**



BOLT-ON PINTO/MUSTANG II I.F.S. WITH ADJUSTABLE RIDE HEIGHT

Fully bolt-on Chassis Engineering crossmember uses Pinto/Mustang II factory geometry and suspension components. The standard Mustang track is increased 2" to fit the wider Chevy trucks correctly. The upper coil spring pads are adjustable, giving 2-1/2" of ride height adjustment at the wheels. Includes strut rod frame brackets with reinforcing rods that tie into the crossmember in for extra strength. Upper spring pads interlock with crossmember for rigidity.

- IF-4854CPT 1948-54 Chevy Truck- 1/2 ton only . . . \$755.00**
- IF-5559CPT 1955-59 Chevy Truck- 1/2 ton only . . . \$755.00**
- CP-1160P with engine mounts installed \$95.00**
- Complete suspension component package \$1,699.00**

1937-59 CHEVY TRUCK FRAME EXCHANGE PROGRAM

Trade in your original frame for a ready-to-roll street rod chassis!

The basic package includes:

- An original 1947-54, 1955-59 Chevy truck frame sandblasted, repaired and primed
- Overdrive trans X-member modification
- Heidis Mustang crossmember kit and tubular A-arms
- Mustang II front suspension. Includes: new 5-bolt rotors, shocks, springs, spindles, and a manual rack & pinion steering gear
- Small block Chevy or small block Ford front & rear motor mounts
- 8" Ford rear end-used (9" rear available)
- Chassis Engineering parallel leaf spring rear suspension
- Front and rear sway bars

1935-40/1941-48 exchange \$5,800.00

Chassis are also available outright without a frame trade-in Core Charge \$500.00

Above chassis with NEW 9" Ford rear, drum brakes and choice of gear ratios \$ 6,750.00

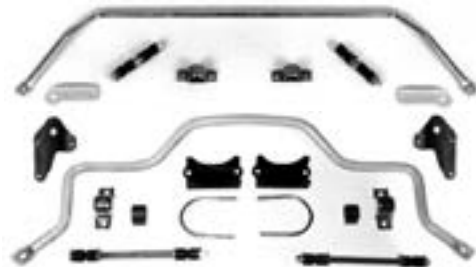
Please see page 12 for options



WELD ON PINTO/MUSTANG II IFS KIT

This Heidis weld-on kit includes lower crossmember, upper spring mounts, boxing plates, rear strut mounts, gussets and instructions to mount 1974-78 Mustang II or 74-80 Pinto/Bobcat front suspension to your 1937-54 Chevy truck. Gives a low stance and nice ride. Economy kit does not have dressed welds. Note: requires extensive welding.

- CX305 1937-1939 Pickup \$450.00**
- CX306 1940-1946 Pickup, standard \$450.00**
- CX307 1947-1954 Pickup \$450.00**
- CX308 1955-59 Pickup \$450.00**



FRONT AND REAR SWAY BARS

Improves the handling of top-heavy classic trucks. For best results use front and rear bars together. Linkage and mounting hardware furnished. Upper linkage mount must be fabricated for rear bar.

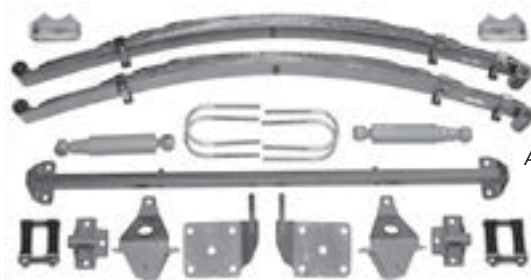
- SB-0037R Rear- for Chassis Engineering rear end kit (specify axle housing diameter) \$185.00**
- SB-0010PM Front- most stock width Mustang IFS kits \$175.00**



HEIDTS SUPER RIDE II FOR 1947-54 CHEVY TRUCKS

Give your Classic Chevy truck a smooth ride, good handling, and the ultimate look with Heidt's Superide II - A complete front suspension kit which includes: main crossmember, dropped spindles, adjustable tubular A-arms, adjustable coil over shocks with chrome springs, 11" disc brake vented rotors, billet calipers or GM calipers, front mounted rack and pinion steering, and factory ball joints & tie rod ends.

- BX-306** 1947-54 Chevy pick-up. \$3,195.00
- BX-307** 1955-59 Chevy pick-up. \$3,195.00
- Options:**
 - Stainless steel control arms** add \$1200.00
 - Power steering** add \$150.00
 - Sway bar, plain** \$189.00
 - Sway bar, Chrome** \$470.00



AS-1015 shown

REAR END MOUNTING KITS

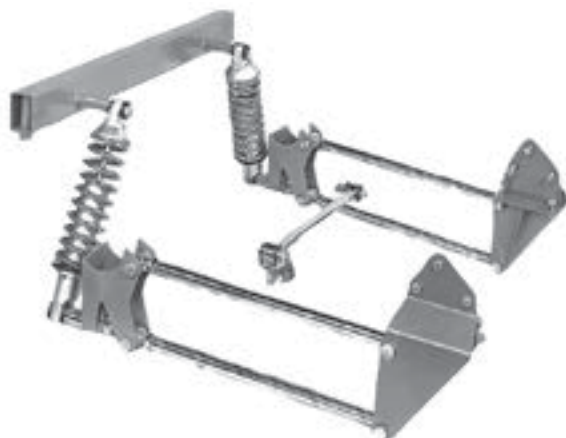
1948-54 Bolt-On Kit includes bolt-on spring mounts, (4) U-bolts with nuts, specially valved shocks, shackles, rear shock kit and Chassis Engineering Slider Springs. Spring pads must be welded to rear axle. This is an easy installation on original frames

AS-1015C 1948-54 Bolt On Rear End Kit. \$719.00

1937-47 Weld-On Kit includes weld-on spring mounts, (4) U-bolts with nuts, specially valved shocks, shackles, rear shock kit and Chassis Engineering Slider Springs. Spring pads must be welded to rear axle. Fitting and welding required. Specify rear end used.

AS-0010CY 1937-47 Weld-on rear end kit \$719.00

AS-0010CY 1955-59 Weld-on rear end kit \$719.00



HEIDTS 1947-59 CHEVY TRUCK 4-BAR KITS

Coil-over, 4-bar rear suspension provides the best ride for any classic truck. These kits attach directly to the stock frame rails. The adjustable axle brackets let you set ride height in one of three positions. A bolt-in upper crossmember for coil-overs is included. Kits available in plain steel or with polished stainless steel. Note: These kits require the use of a panhard rod. Coil covers and panhard rod are sold separately

- RB-108** 1947-54 Chevy 4-Bar Kit, Plain \$650.00
- RB-108SS** 1947-54 Chevy 4-Bar Kit, Stainless Steel \$1,350.00
- RB-110** 1955-59 Chevy 4-Bar Kit, Plain \$650.00
- RB-110SS** 1955-59 Chevy 4-Bar Kit, Stainless Steel . \$1,350.00

HEIDTS COIL OVERS

Rear coil overs are 15" extended, 11-7/8" compressed with spring rates of 180#, 200#, 220#, 250#, 300#, 350#, 400# and 500#. Shocks are available plain or polished and springs are chrome.

- CD-109** Coil Overs, plain. \$449.00
- CD-105P** Coil Overs, polished. \$500.00

PANHARD RODS

Must be used with rear 1947-54 4-bar kits above

- RP-106** Bolt-on panhard rod kit, plain \$95.00
- RP-106-SS** Bolt-on panhard rod kit, stainless \$195.00

BRAKE PEDAL & MASTER CYLINDER MOUNTING KIT

Bolt-in mounts adapt most master cylinders
AS-1048PT 1947-54 Chevy PU. . \$173.00



ECI MASTER CYLINDER ADAPTER

Adapts either Mustang or Corvette master cylinder to the stock brake pedal in the stock master cylinder location. Supplied with push rod, rod end, hardware and new boot.

- EC-420** 1947-54 Chevy P/U \$89.95
- EC-425** 1955-59 Chevy P/U \$125.00



EC-515 shown



EC-420 shown

ECI BOOSTER & MASTER CYLINDER ASSEMBLY

New master cylinder with 7" booster and bracket. Mounts to the stock brake pedal. Hardware included.

- EC-505** 1947-54 Chevy pick-up \$395.00
- EC-515** 1955-59 Chevy pick-up. \$395.00

ECI DISC BRAKE KITS

Uses GM rotors and calipers (large passenger car) and replaces the Chevy ball bearings with late GM/ tapered roller bearings and grease seals. Caliper brackets bolt to the stock spindles and stock GM steering arms are used.



- EC-711** 47-54 Chevy, basic kit. \$180.00
- EC-711CK** 47-54 Chevy, complete kit \$450.00
- EC-711X** 47-54 Chevy, basic kit. \$180.00
- EC-711XCK** 47-54 Chevy, complete kit \$450.00

Call 402.886.2275 or click: www.heinzmanstreetrods.com

1937-1959 Chevy Pickup Suspension and Brakes